



FEED AND BIOFUEL
**HIGH PERFORMANCE
GRINDING**

HAMMER MILLS

ANDRITZ

ENGINEERED SUCCESS



We are crushing it – no matter what it may be

At ANDRITZ we have been engaged in the feed and biofuel industries for a very long time and when you consider the collective knowledge of our engineers and technicians, it is easy to see that we are totally invested in the future of our technology. As a result, we have been able to implement hammer mill solutions that achieve the perfect grind for virtually any materials, coarse or fine, for the raw materials used in the production of biofuel and animal, aqua, and pet food.

A COMPLETE SOLUTION

The correct combination of hammer mill type, screens, hammers, speed, feeding system, and air flow through the hammer mill ensures the required grinding results and creates optimum conditions for subsequent processes, such as mixing, pelleting, and extrusion. Thus, the grinding process is not merely a question of the hammer mill alone, but also includes everything from feed system to discharge hopper, aspiration filter, and electronic control system.



HAMMER MILL

High-performance grinding
for many applications

Hammer mills for every purpose

ANDRITZ supplies a wide range of hammer mills for different purposes from biofuel over animal feed to extrusion applications. All hammer mills are globally available in terms of both rotational speed and certification and are continuously updated and improved.

OPTIMILL

Optimill hammer mills, designed for grinding coarse structures such as those required for pig, poultry, and ruminant feed, are large circle grinders equipped with four pole motors. They are available in a variety of sizes from 500mm to the 1200mm dual chamber model. Optimills can be combined with feeding and separation devices, collection bins, filters, fans, and platforms.

MULTIMILL

Multimills are small circle grinders, equipped with two pole motors for high speed fine grinding applications such as the extrusion of pet food and aqua feed. They come in a variety of sizes from 630mm to 1400mm long and can be installed in a unique double grinding stack.

TECHNICAL DATA

Hammer mill Type	Motor power		Rotor rpm 50/60 Hz	Screen area		Filter air flow	
	kW	HP		dm ²	sq.in.	m ³ /h	CFM
Optimill 500	110-160	-	1500/1800	143	2216	3600	2119
Optimill 700	160-250	-	1500/1800	200	3100	5000	2943
Optimill 900	250-355	-	1500/1800	257	3984	6400	3767
Optimill 1201	355-400	-	1500/1800	346	5363	8800	5180
Multimill 630	75-110	-	3000/3600	83	1287	4000	2354
Multimill 800	90-200	-	3000/3600	106	1643	5000	2943
Multimill 1000 B	132-315	-	3000/3600	146	2263	6300	3708
Multimill 1400 D	250-355	-	3000/3600	186	2883	9000	5297



GRINDING

Optimill



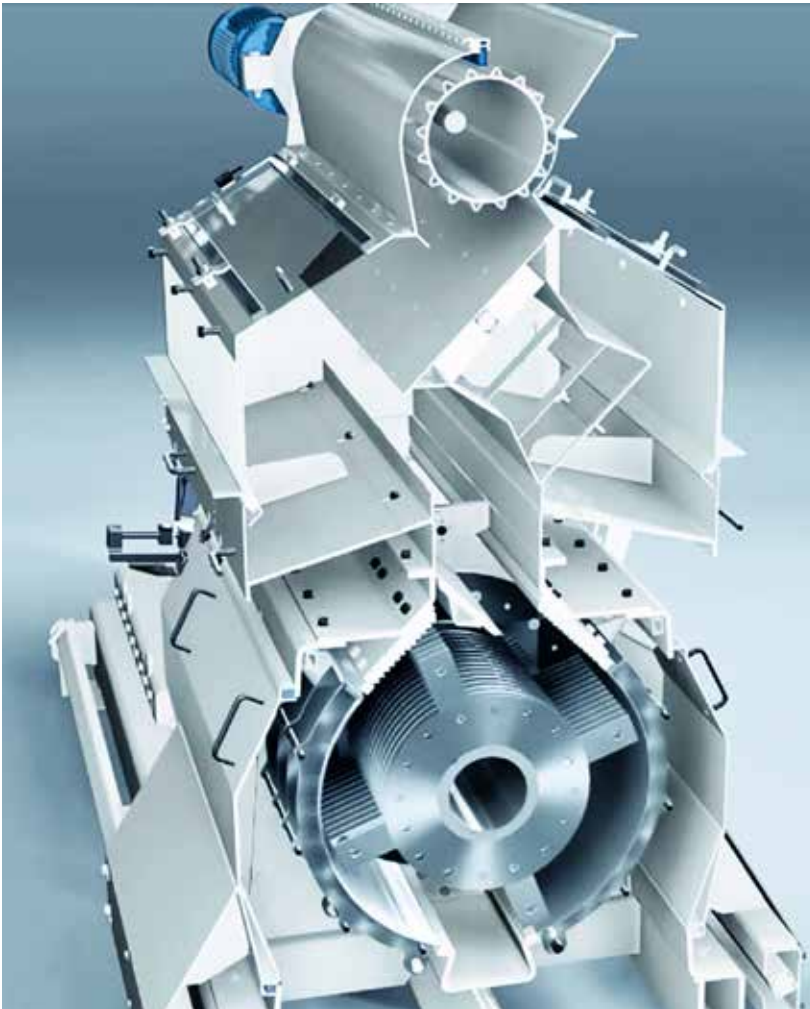
Multimill



HAMMER MILL

We are crushing it
– no matter what it may be.

Grinding technique for high controllability



FEEDING SYSTEM FOR UNIFORM LOAD

By feeding the material over the full length of the grinding chamber, the particle size can be controlled accurately and the hammers and screens have uniform loading, resulting in longer lifetime of wear parts and higher output per kilowatt.

The feed system, which is available as double screw and separator or as pocket feeder with integrated separator and distribution roll, can be adjusted to suit all raw material types.

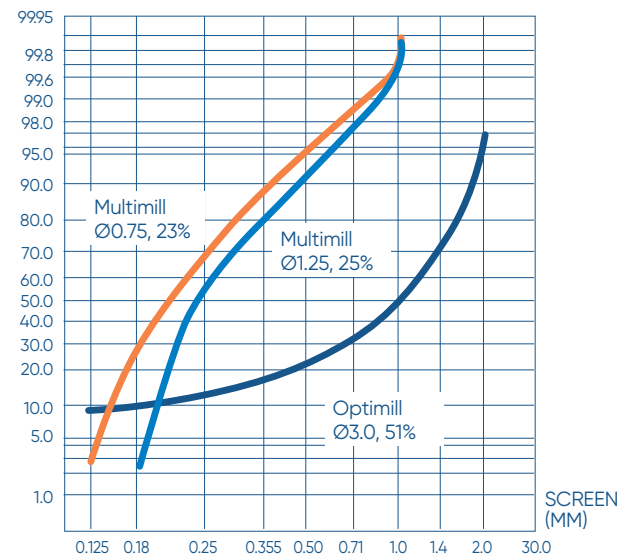
HAMMER MILL CONTROL

The entire grinding process is controlled by an AFB-HM1 or HMCPS control unit in a cabinet with front operating panel, providing a full view of all operational functions. The efficient feeding system control optimizes product change and mill capacity utilization.

DESIGN AND FUNCTION

The hammer mills are fed radially for dual-rotational operation to achieve uniform wear and full utilization of screens and hammers. Models with tangential inlets are available for low-density products. The hammer mills have a directly coupled motor mounted on a base frame. The front doors are bottom-hinged and open on sliding rails. All operating points have electronic safety equipment. The hammer mills are supplied with a separator and a magnet above the inlet to protect the grinding chamber against damage and spark risks from foreign objects in the material flow.

% PASSING THROUGH



Grinding units for stand alone applications

FEEDING DEVICES



Distributor screw



Pocket feeder



Separator



Screw feeder

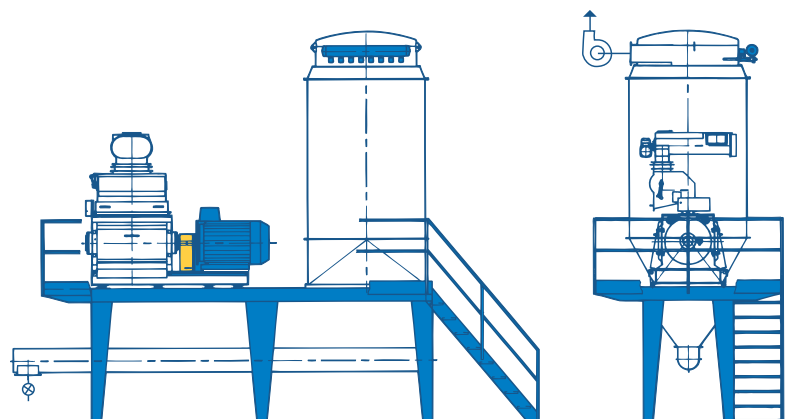
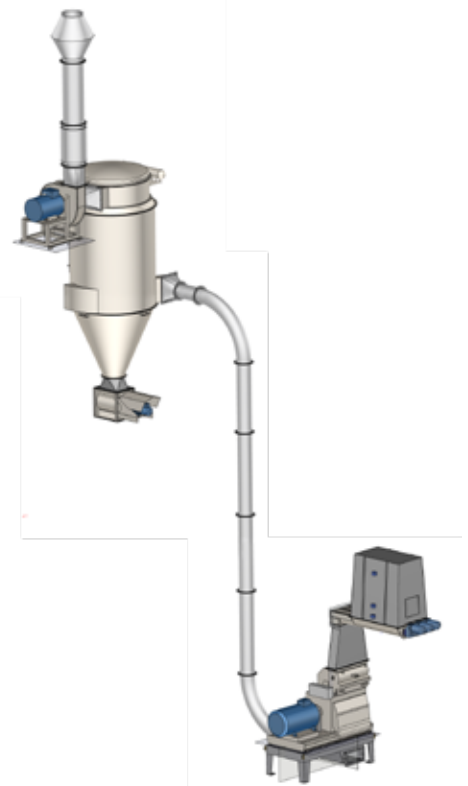


Air separator

The Optimill and Multimills are available as complete unit integrated with all necessary machines to provide a complete solution.

ANDRITZ GRINDING UNITS

- Feeder
- Distributer screw
- Separator
- Hammer mill
- Collection bin
- Air lock
- Aspiration filter
- Fan
- Operating platform
- Pre bin





GLOBAL SUPPLIER – LOCAL PRESENCE

With sales, service, engineering, manufacturing and production sites located all around the world, ANDRITZ Feed and Biofuel is truly a global organization with a local presence. ANDRITZ is vital to ensuring a reliable global supply of aqua feed, animal feed, pet food, and biofuel. With full process lines accounting for half the world's production of aqua feed and biomass alone, we continuously support leading producers in achieving the highest levels in safety, quality, and control from feedstock to final product.

How can we help grow your business?

ANDRITZ Feed and Biofuel A/S

Glentevej 5–7
6705 Esbjerg, Denmark
p: +45 72 160 300
andritz-fb.dk@andritz.com

AUSTRALIA

p: +61 3 8773 4888
andritz-fb.au@andritz.com

CHINA

p: +86 21 5774 5781
andritz-fb.cn@andritz.com

ITALY

p: +39 (0445) 575 695
andritz-fb.it@andritz.com

TURKEY

p: +90 232 570 38 00
andritz-fb.tr@andritz.com

BANGLADESH

p: +880 22 2226 4800
andritz-fb.bd@andritz.com

DUBAI

p: +971 4 299 5555
andritz-fb.uae@andritz.com

MEXICO

p: +52 443 323 1530 ext 364
andritz-fb.mx@andritz.com

UK

p: +44 1482 825119
andritz-fb.uk@andritz.com

BRAZIL

p: +55 47 3387 9146
andritz-fb.br@andritz.com

FRANCE

p: +33 24 75 06 364
andritz-fb.fr@andritz.com

NETHERLANDS

p: +31 40 2627777
andritz-fb.nl@andritz.com

USA

p: +1 570 546 1253
andritz-fb.us@andritz.com

CANADA

p: +1 519 676 7057
anbosales@andritz.com

GERMANY

p: +49 2104 9197 0
andritz-fb.de@andritz.com

POLAND

p: +48 60 906 1037
andritz-fb.pl@andritz.com

VIETNAM

p: +84 8 6253 9434
andritz-fb.vi@andritz.com

CHILE

p: +56 2 24624608
andritz-fb.cl@andritz.com

INDIA

p: +91 87544 15287
andritz-fb.india@andritz.com

SOUTH AFRICA

p: +27 82 781 0808
andritz-fb.za@andritz.com

ANDRITZ.COM/FT

ANDRITZ

All data, information, statements, photographs and graphic illustrations in this leaflet are without any obligation and raise no liabilities to or form part of any sales contracts of ANDRITZ AG or any affiliates for equipment and/or systems referred to herein. © ANDRITZ AG 2021. All rights reserved. No part of this copyrighted work may be reproduced, modified or distributed in any form or by any means, or stored in any database or retrieval system, without the prior written permission of ANDRITZ AG or its affiliates. Due to legal requirements, we must inform you that ANDRITZ AG processes your data for the purposes informing you about the ANDRITZ GROUP and its activities. Find out more details about our data privacy declaration and your rights under the data protection legislation on our website: andritz.com/privacy. ANDRITZ AG, Stattegger Strasse 18, 8045 Graz, Austria.



1215 GB